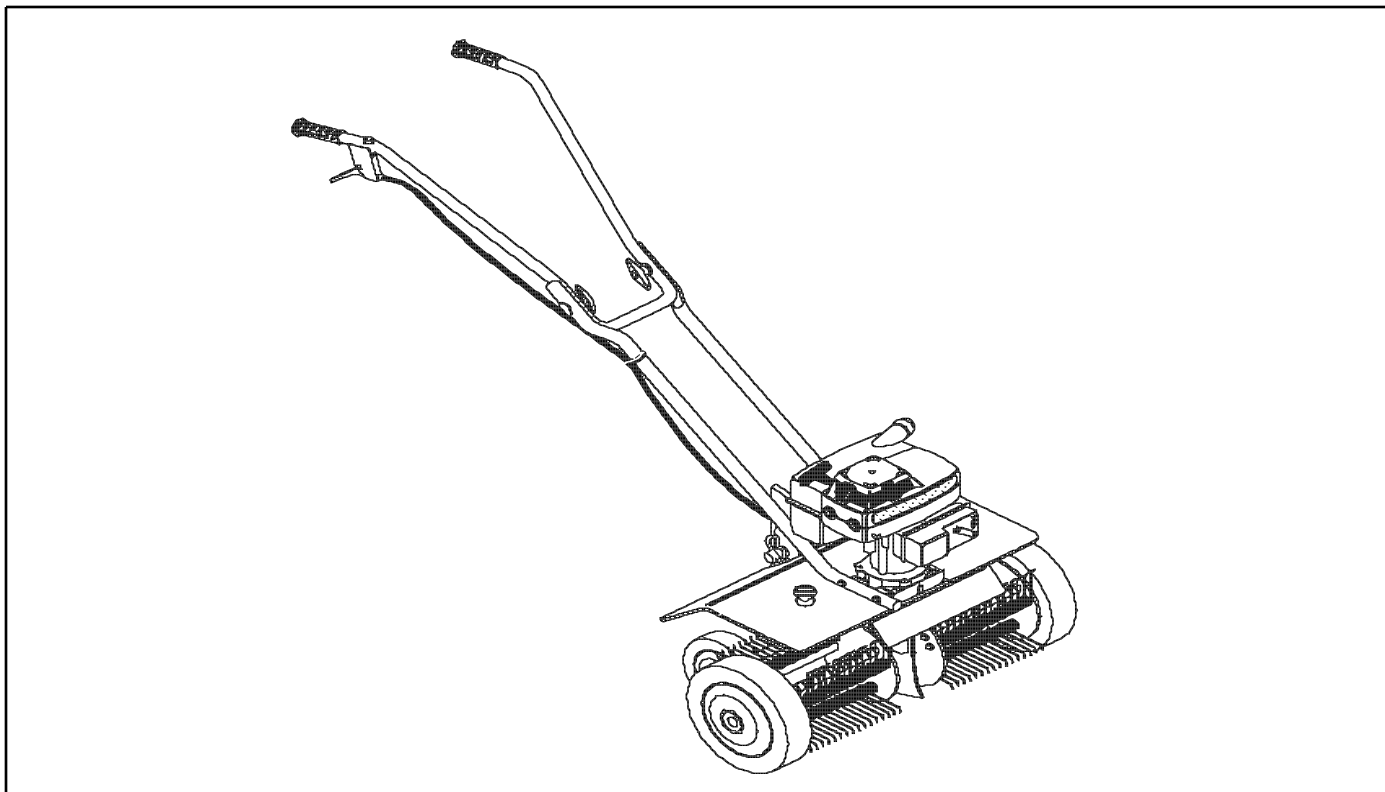
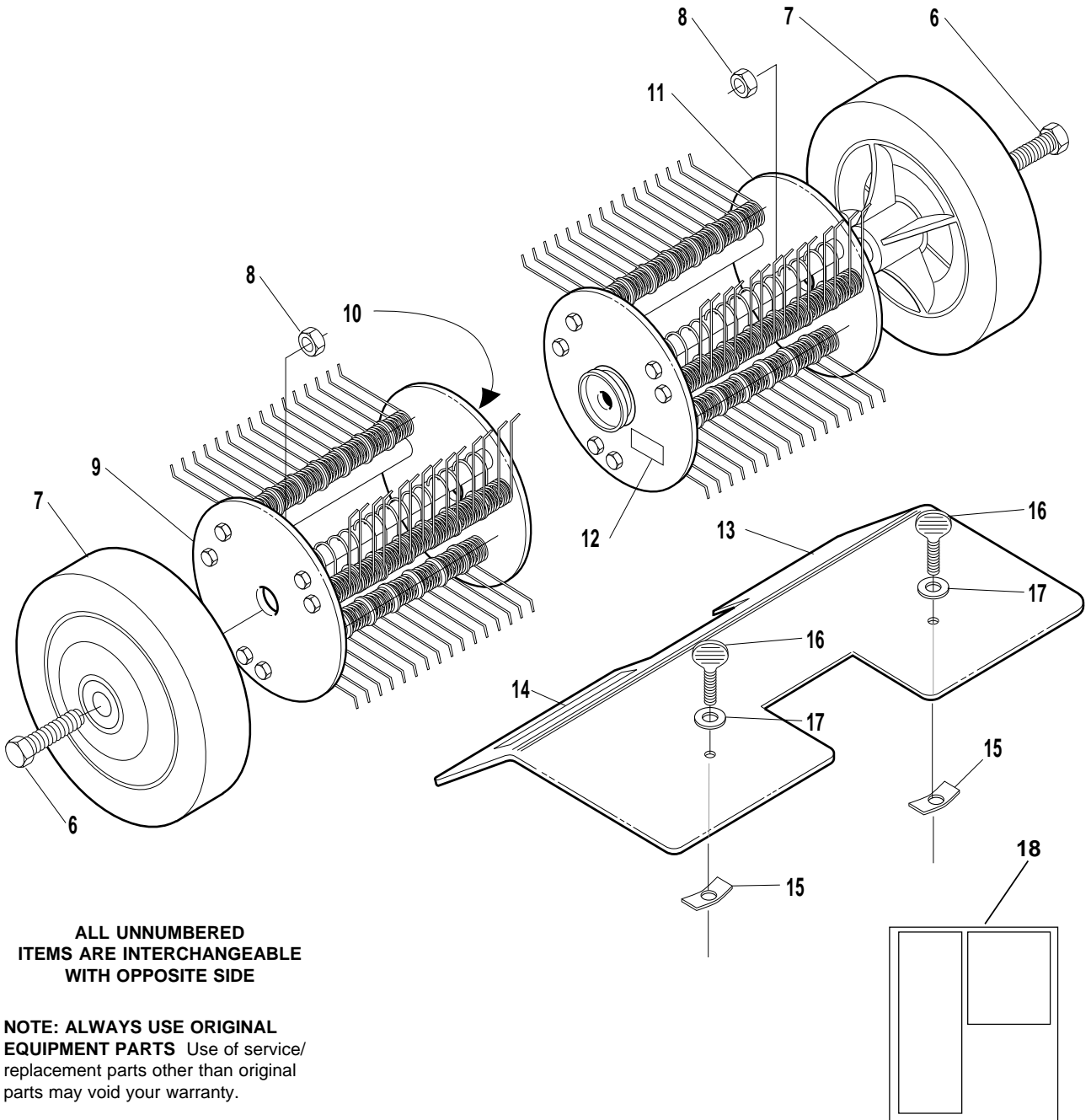


DETHATCHER



1.1997 **Spare Parts**

DETHATCHER ATTACHMENT



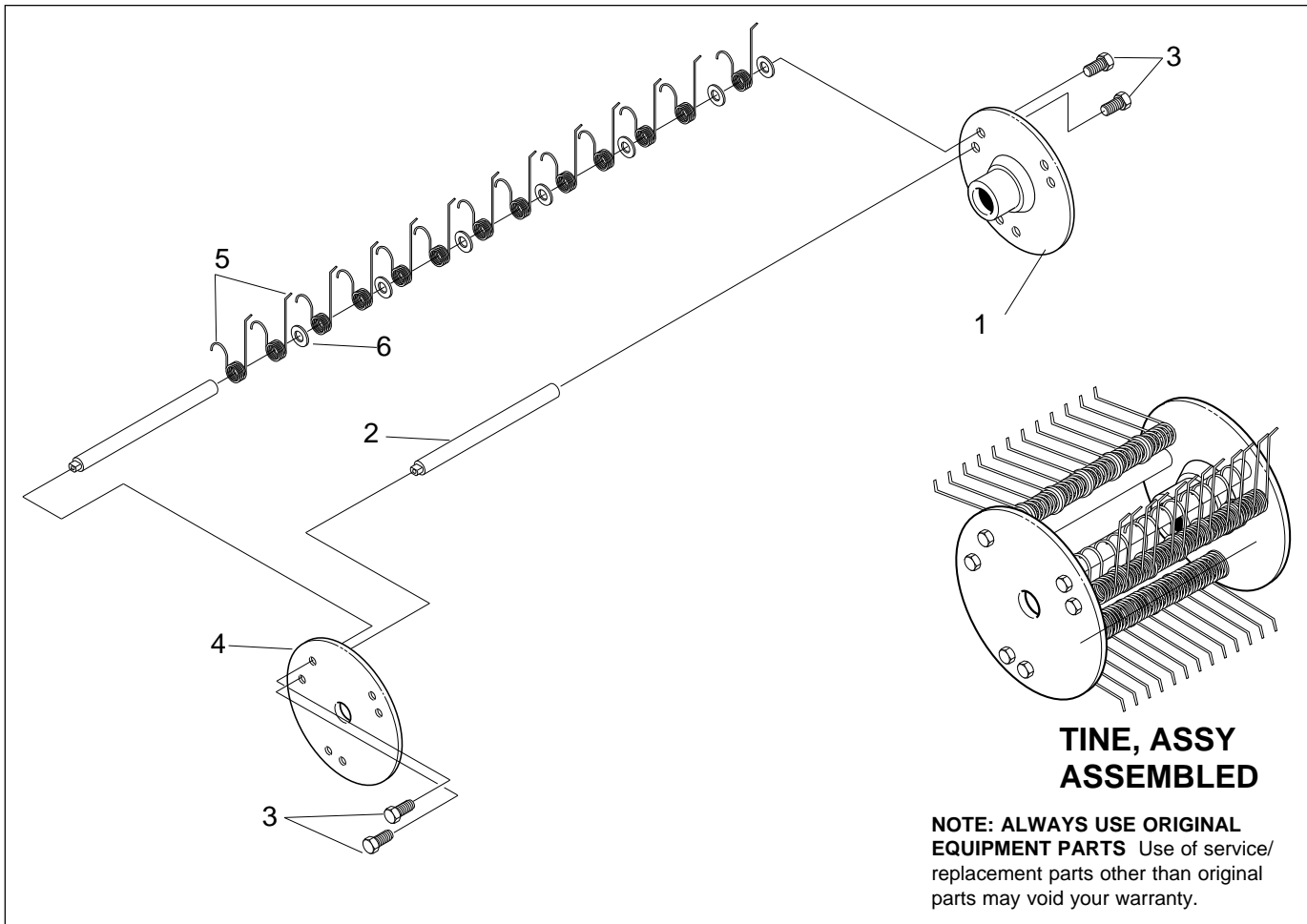
**ALL UNNUMBERED
ITEMS ARE INTERCHANGEABLE
WITH OPPOSITE SIDE**

**NOTE: ALWAYS USE ORIGINAL
EQUIPMENT PARTS** Use of service/
replacement parts other than original
parts may void your warranty.

REF. NO.	PART NO.	PART NAME
6	57437	BOLT, .500X1.655 HSH 3/8-16
7	300824	TIRE & RIM, SEPU 7X1.50
8	1499	NUT, 3/8-16 REGHXCTRLK
9	315867-853	TINE, ASSY RH DETHACHER
10	318324	LABEL, ADHESIVE, "RIGHT"
11	315868-853	TINE, ASSY LH DETHACHER
12	318323	LABEL, ADHESIVE, "LEFT"
13	315882-854	SHIELD, DETHATCHER

REF. NO.	PART NO.	PART NAME
14	320711	DECAL, CAUTION THROTTLE WARNING
15	322126	NUT, TINN RECSLK
16	322127	SCREW, THUMB#10-24X.5 TYPB
17	1501	WASHER, FLAT .203X .56X.040
18		

DETHATCHER ATTACHMENT



TINE, ASSY ASSEMBLED

NOTE: ALWAYS USE ORIGINAL EQUIPMENT PARTS Use of service/replacement parts other than original parts may void your warranty.

REF. NO.	PART NO.	PART NAME
1	320165	PLATE, INNER, DETHATCHER
2	320166	TUBE, SUPPORT, DETHATCHER
3	35497	SCREW, 5/16-18X .50 WAHHTAP
4	320164	PLATE, END, OUTSIDE
5	315872	SPRING, TORSION .08 WIRE
6	996425	WASHER, FLAT .515X .88X.064